

	PRODUCT CATEGORY:
	PIEZOMETERS + TRANSDUCERS

Multi-Point Vibrating Wire Piezometer String

Multi-Point Vibrating Wire Piezometer Strings allow for multiple Vibrating Wire Piezometers to be connected on a single cable. This facilitates the installation of fully grouted multiple piezometers. The single cable prevents vertical void channels. Tough polyurethane-jacketed, Kevlar® reinforced, non-stretch cable is employed to withstand the rigors of installation and is entirely water-blocked to minimize any leakage. No conductors are shared to maximize independent reliability of each sensor.

Fully grouted installation permits multiple piezometers to be simply and reliably installed in a single borehole. The piezometer string and grout pipe are placed in the borehole and cement-bentonite grout is pumped until the borehole is filled.

RST Multi-Point Vibrating Wire Piezometers provide excellent long-term accuracy, stability of readings, and reliability under demanding geotechnical conditions. Vibrating Wire Piezometers are the electrical piezometers of choice as the frequency output of vibrating wire devices is immune to external electrical noise and able to tolerate wet wiring common in geotechnical applications.

> APPLICATIONS

Ideal when more than one piezometer reading is needed at various depths at the same location.

Assessing performance and investigating stability of:

Earth fill dams & embankments.	Slope stability.
--------------------------------	------------------

Monitoring of:

Pressures behind retaining walls and diaphragm walls.	Pore pressure in land reclamation applications.
Pore pressures during fill or excavation.	

> FEATURES

No inter-zone leakage.	Straightforward installation.
Field proven reliability and accuracy.	Immune from external electrical noise.
Will tolerate wet wiring common in geotechnical applications.	Cable lengths may be changed without affecting the calibration.
Thermistor for temperature measurement is standard.	Hermetically sealed, stainless steel construction.
Heavy case to minimize reading errors caused by overburden pressure.	Negligible displacement of pore water during the measurement process.
Signal transmission of several kilometers.	Data logger compatible.
Integral lightning protection.	

> BENEFITS

✓ Increase Safety	✓ High Accuracy
✓ Increase Productivity	✓ High Reliability
✓ Custom Options	

*Kevlar® is a registered trademark of E.I. duPont de Nemours and Company or its affiliates. RST Instruments Ltd. reserves the right to change specifications without notice. MIB0051E



RST Multi-Point Vibrating Wire Piezometer String

WORKS WITH **flexDAQ** DATA LOGGERS

READY TO RUN
 pre-assembled
 pre-wired
 pre-tested
 pre-programmed

rstar
AFFINITY

Multi-Point Vibrating Wire Piezometer String

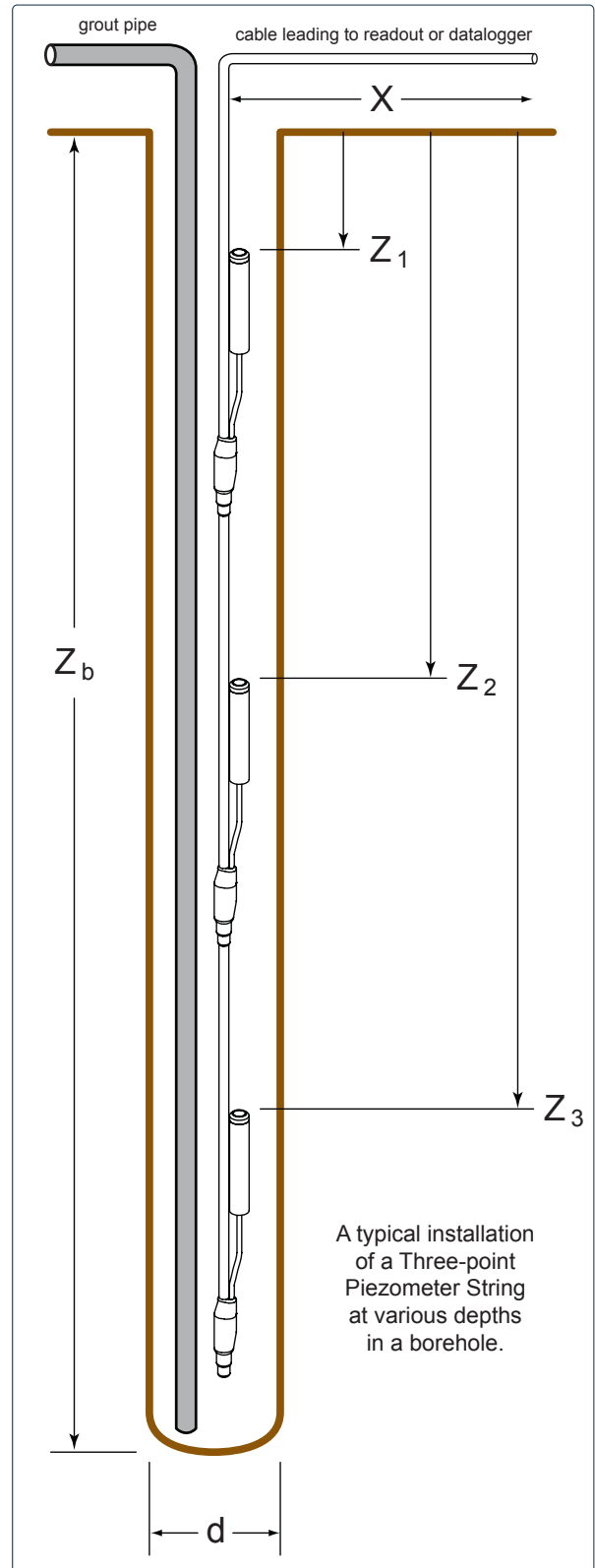
! PRODUCT CATEGORY:
 PIEZOMETERS + TRANSDUCERS

SPECIFICATIONS + ORDERING

MULTI-POINT VIBRATING WIRE PIEZOMETER SPECIFICATIONS	
The following specifications are for an individual vibrating wire piezometer.	
DESCRIPTION	SPECIFICATION
Over range	1.5X F.S
Resolution	0.025% F.S. minimum
Accuracy	0.1% F.S.
Operating Temperature	-20 to 80°C (-4 to 176°F)
Diaphragm Displacement	<0.001 cc at F.S.
Thermal Zero Shift	<0.05% F.S./°C
Materials	Hermetically sealed stainless steel housing
Thermistor Type	NTC 3K Ohms @ 25°C
Thermistor Interchangeability	±0.2°C (optional ±0.1°C)
Thermistor Resolution	0.1°C
Filter	50 micron sintered filter.

ELECTRICAL CABLE SPECIFICATIONS	
PART #	DESCRIPTION
2-3 Piezometers	
EL380012	12 conductor, Kevlar® wire with water-blocked polyurethane jacket
4-6 Piezometers	
EL380013P	13 pair, Kevlar® wire with water-blocked polyurethane jacket

ORDERING INFO			
PART #	DESCRIPTION	PRESSURE RANGES	DIMENSION
Due to the semi-custom nature of Multi-Point Vibrating Wire Piezometer Strings, please contact RST Instruments for complete ordering info. Ordering info will be dependent on required cable depth, number of piezometers per string and measurement parameters regarding pressure and/or temperature.			
VW2100MP-XXXX	Multi-Point Vibrating Wire Piezometer String	0.35, 0.7, 1.0, 2.0, 3.0, 5.0, 7.5, and 10.0 MPa (Standard model vibrating wire piezometer ranges shown).	Dimensions dependent on cable and pressure ranges chosen.



*Kevlar® is a registered trademark of E.I. duPont de Nemours and Company or its affiliates. RST Instruments Ltd. reserves the right to change specifications without notice. MIB00051E